

Evacuation Planning



Evacuation Planning

Do you need an idea for a scientific study?

Try out one of our ideas or make one of your own.

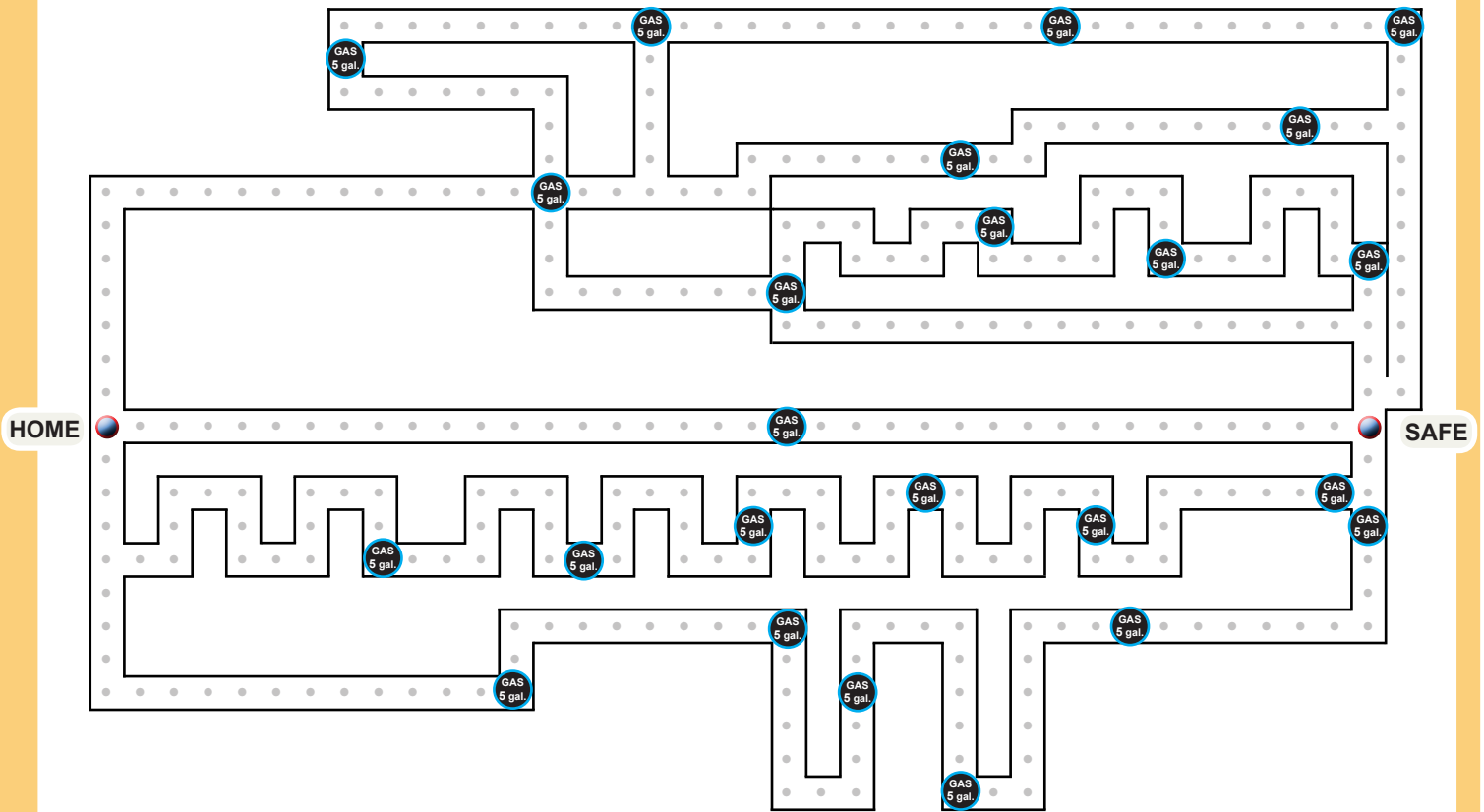
Start learning right now about how people prepare for natural and human-caused disasters. Take the following brief quiz to see how much you already know about evacuation planning. See the bottom of page 4 to check your answers.

1. If you only have a few minutes to evacuate your home before a natural disaster, which of the following is *least* important to take with you as you depart your home?
 - a. medicines
 - b. water
 - c. first aid kit
 - d. frozen food
2. A flood is expected to hit your home within two days. Which of the following should *not* be done prior to leaving your home?
 - a. collect and secure important documents, such as birth certificates
 - b. move all furniture and electronics to the basement
 - c. arrange for pet care in a safe facility
 - d. turn off electricity to the home
3. During an emergency evacuation, paper road maps are *not* needed to plan evacuation routes since most cell phones have map navigation applications that can be used instead.
 - a. true
 - b. false
4. A person plans to use their personal vehicle to evacuate an area in an emergency. As the person travels on the evacuation route, all of the following should be expected to be in limited supply on the highways *except*:
 - a. cash.
 - b. gasoline.
 - c. hotel rooms.
 - d. traffic.
5. An earthquake warning has been issued. If you are driving your vehicle on the open road when the earthquake tremors start, you should safely stop your vehicle on the shoulder of the roadway and stay inside your vehicle.
 - a. true
 - b. false



Get Out of Here!

Your task is to plan the best route to take you from your home to the safe evacuation point in the least amount of time. More than one route will allow you to safely arrive at your destination; however, you want to choose the fastest route. Each dot represents $\frac{1}{2}$ gallon of gasoline used and $\frac{1}{2}$ hour of time. Your vehicle starts with 10 gallons of gasoline. See the bottom of page 4 to check your answer.



Evacuation Planning

Grab-n-Go

Preparing to evacuate your home in times of an emergency is a stressful process. Some steps you take can improve the safety of your property and belongings, while others put them at greater risk.

Here are some actions you can take to better secure your property.

- Bring things, such as lawn furniture, toys, garden supplies, and trash cans inside. They can become flying missiles in windstorms.
- Avoid trimming tree branches if yard waste will not be collected prior to a storm hitting your area.
- Turn off the electricity and water to your home before you leave.
- Unless ordered to do so, leave natural gas on to your home.
- Turn off and properly store propane tanks if they are mobile.
- Look for potential hazards around the outside of your home, such as nuts and fruit on trees, antennas, and other objects that may become dislodge during a storm.
- Avoid leaving windows opened or cracked to equalize pressure differences in a storm.
- Move all valuables inside the home to a safe location that is away from windows or doors.
- Make a video recording of all of the rooms in your home for insurance purposes. Individually videotape expensive items, such as large screen televisions or jewelry that might be lost, damaged, or stolen.

If you are ever ordered to evacuate, do so as soon as possible. Time is of the essence in times of disaster. Remember, things can be replaced, but your life and the lives of your loved ones are the most important to protect. The following list provides guidance of what you should pack in case you only have minutes to evacuate before a disaster strikes.

- Medicine, prescriptions, eyeglasses, contact lenses, and other medical equipment
- Water and snacks
- Flashlight, batteries, radio, and first aid kit
- Change of clothes for each person
- Bedding for each person
- Car and home keys
- Important papers, including personal ID's, Social Security cards, insurance policies, birth and marriage certificates, stocks, bonds, wills, tax returns, credit cards, checkbook, and cash
- Paper map of the region



Please visit our site for helpful information:
STEMsims.com

Page 2 Answers: (1) d, (2) b, (3) b, many cellular applications will fail due to overloaded circuits in emergency evacuations, (4) d, (5) a. Solutions to map on page 3:

The Science Fair Kits project was funded in part under the Department of Homeland Security Science and Technology Directorate grant contract #N10PC20003. Its contents are solely the responsibilities of the authors and do not necessarily represent the official views of the Department of Homeland Security.

© 2024 STEM Sims. All rights reserved. Reproduction in whole or in part is prohibited without the prior written consent of the copyright owner. The information presented in this document does not form part of any quotation or contract, is believed to be accurate and reliable, and may be changed without notice. No liability will be accepted by the publisher for any consequence of its use. Publication thereof does not convey nor imply any license under patent or other industrial or intellectual property rights.